

40-Key RGBW Controller



This IR (Infra-Red) Controller and Remote is designed for controlling LED lighting products such as flexible strips, glass curtains, wall lights and wall washers and provides an easy to use solution for switching lights on or off and choosing lighting colours.

The unit is easy to install and comes in two parts: a receiver, which installs between the strip light and driver/transformer, and a Remote Controller which can be used to set the colour, brightness and speed of the LED Strip.

Using the IR Controller/Remote, you can wirelessly control the settings on your LED lights, choosing from one of 20 static colours and 6 dynamic modes.

As this is an Infra-Red Controller, you will need a direct line of sight between the remote and Infra-Red sensor. If this will cause a problem you may want to consider one of Heralds range of RF Wireless Controllers. The sensor is attached to a length of wire for optimum placement.

Before installing this product, please read this manual carefully to ensure full understanding of the specification to avoid unnecessary damage.

Directions for use

- The supply voltage for this product is DC 12V-24V, never connect to a mains voltage.
- Always connect the load first then apply the power taking care not to short circuit.
- Lead wires should be connected according to the connection diagram.
- Do not overload the controller. Refer to technical specifications.
- Remove the isolation tab from the remote control battery.

Features

- Mode select
- Brightness adjustment
- Static colour choices
- Customise any colour

Technical Specifications

Controller :

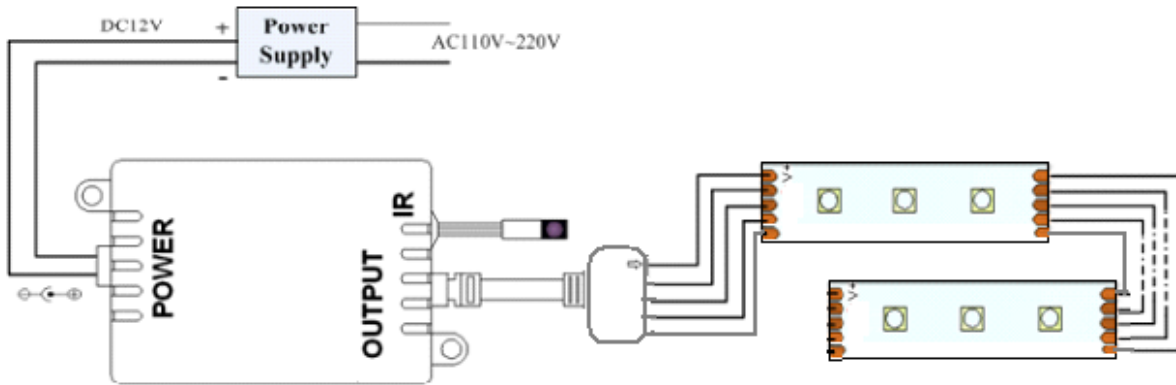
- Operating Temperature: -20°C +60°C
- Supply Voltage: DC 12V-24V
- Output: 4 channels
- Connection Mode: Common Anode
- Static Power Consumption: <1W
- Output Current: 2A x 4Ch =8A 2A per channel
- Controller Dimensions: L 61 x W 35 x H 22mm
- Package Size: L 136 x W 48 x H 59mm
- Net Weight: 80g
- Gross Weight: 90g

Remote Control Instructions:

Brightness +	Brightness -	OFF	ON
Static Red	Static Green	Static Blue	Static White
Static Orange	Static Light Green	Static Dark Blue	Static Milk White
Static Dark Yellow	Static Cyan	Static Lyons Blue	Static White Pink
Static Yellow	Static Light Blue	Static Purple	Static Green-White
Static Light Yellow	Static Sky Blue	Static Brown	Static Blue White
Brightness +	Brightness -	OFF	ON
25%	50%	75%	100%
JUMP3	FADE3	JUMP7	QUICK
FADE7	FLASH	AUTO	SLOW

Typical Applications

Application Circuit:



DC+ : For power input + (power supply voltage DC 12V-24V)

DC- : For power input -

Notes:

- The load voltage, current and power must be consistent with the product.
- Please make the connection as per the diagram above – ensure you connect the load wire before connecting the power. When in use avoid short circuits.

Common Problems

Problems	Possible cause	Solution
1. Lamp does not light after applying power.	Power cord is not properly connected, or there is no output from the power supply.	Connect the power cord properly or re-apply the power.
	Lamp power cord is not connected or short circuit.	Connect lighting power cord.
2. After connecting the load the controller does not work.	The connected load is too large, so that it has damaged in some of the components in the controller.	Replace damaged components or replace the controller.
3. The remote control does not work.	Tab is isolating the battery. The receiver is not in range or blocked.	Remove the tab isolating the battery. Make sure the receiver is in range and not blocked.